




## PRODUCTS

- Products Home
- Size Table
- Accessories
- Customization
- A-Series
- C-Series
- CA-Series
- CH-Series
- G-Series
- H-Series
- M-Series
- R-Series
- RX-Series
- S-Series
- SL-Series

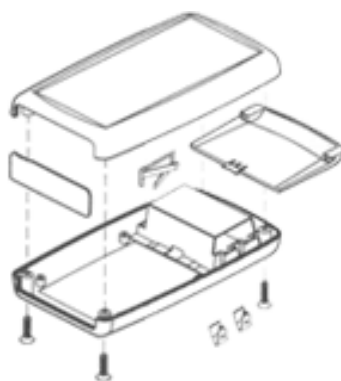
## Products: H-Series

### H-65 (9V)



MODEL	LENGTH	WIDTH	HEIGHT	DRAWINGS	
				(.pdf)	(.dwg)
 <b>H-65, 9V</b>	4.940"	2.750"	0.944"		

### FEATURES



- Three piece design with ergonomic handheld shape
- Replaceable end panels ([see accessories below](#))
- 1 x 9V battery compartment with contactors
- Circuit board mounting bosses  
(adjustable height, [see in-mold customization](#))
- Assembly with four screws
- Customization available
  - five insert areas/I-Plates (top and bottom, internal top and bottom, and face place )
  - machining
  - pad printing

## COLORS



Black



Almond



Gray

[Custom Colors Also Available](#)



Translucent colors (red, green, blue and gray)  
on selected models

[RETURN TO TOP](#)

## ACCESSORIES (Click an accessory for compatible models and part numbers)



Infrared, Clear and  
Transparent End Panels  
[RETURN TO TOP](#)



Pocket Clip

[Home](#) | [About SERPAC](#) | [Products](#) | [Accessories](#) | [Customizations](#) | [Distributors](#) | [Buy Now!](#) | [Contact Us](#)

PRODUCTS: [A-Series](#) | [C-Series](#) | [CA-Series](#) | [CH-Series](#) | [G-Series](#) | [H-Series](#) | [M-Series](#) | [R-Series](#) | [S-Series](#) | [SL-Series](#)

© 2004, SERPAC Electronic Enclosures. All Rights Reserved